



29 rue du 14 juillet
67980 - Hangenbieten
FRANCE
Tel. : +33 3 88 48 53 00
www.soframe.com

DEFENCE



© SOFRAME - 05/2022 - D15372A - GB - Non-contractual photos - All descriptions and characteristics are indicative and non-binding.

VENPIR

Medium Rapid Intervention Vehicle

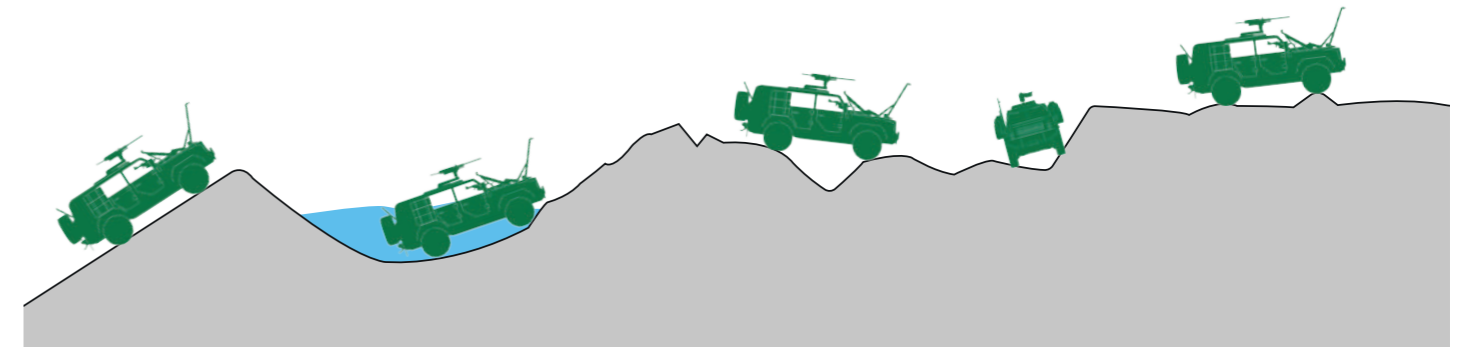
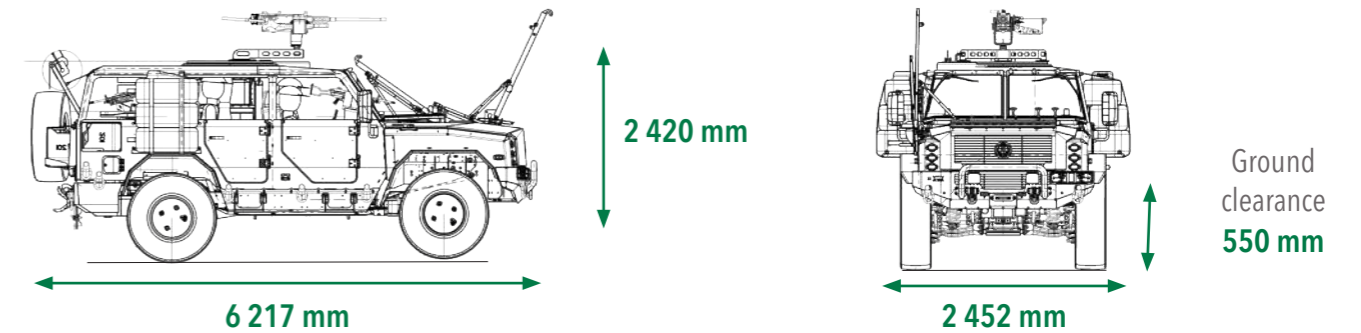


DEFENCE

EN



Technical characteristics



Slope **60 %** Fording **750 mm** Trench **900 mm** Side slope **30 %** Step **400 mm**

The **VENPIR** is a protected 4x4 rapid intervention vehicle, specifically designed for special forces.

It has a modular design and is built to be **versatile, agile, fast, resilient and efficient, providing excellent mobility on all types of terrain.**

It has level 1 mine protection as standard. The vehicle can be fitted with additional ballistic protection as an option. Its internal structure makes it extremely modular, offering excellent **versatility in terms of missions.**

The **VENPIR** can be fitted with the most recent communications and/or jamming equipment. It has additional water and fuel tanks to increase its range. Its easy-to-use self-haulage winch is an advantage.

It can be easily airlifted.

Its independent suspension provides greater comfort and incomparable mobility on all terrains, better traction and a high level of stability and safety on- and off-road at low or high speed.

- Protection: level 1
- Engine: 210 kW (285 hp)
- Gearbox: Automatic
- GVWR: 11.5 t
- Maximum speed: 110 km/h
- Range: 1 000 km
- Turning radius: 8.25 m
- Crew: 5 people